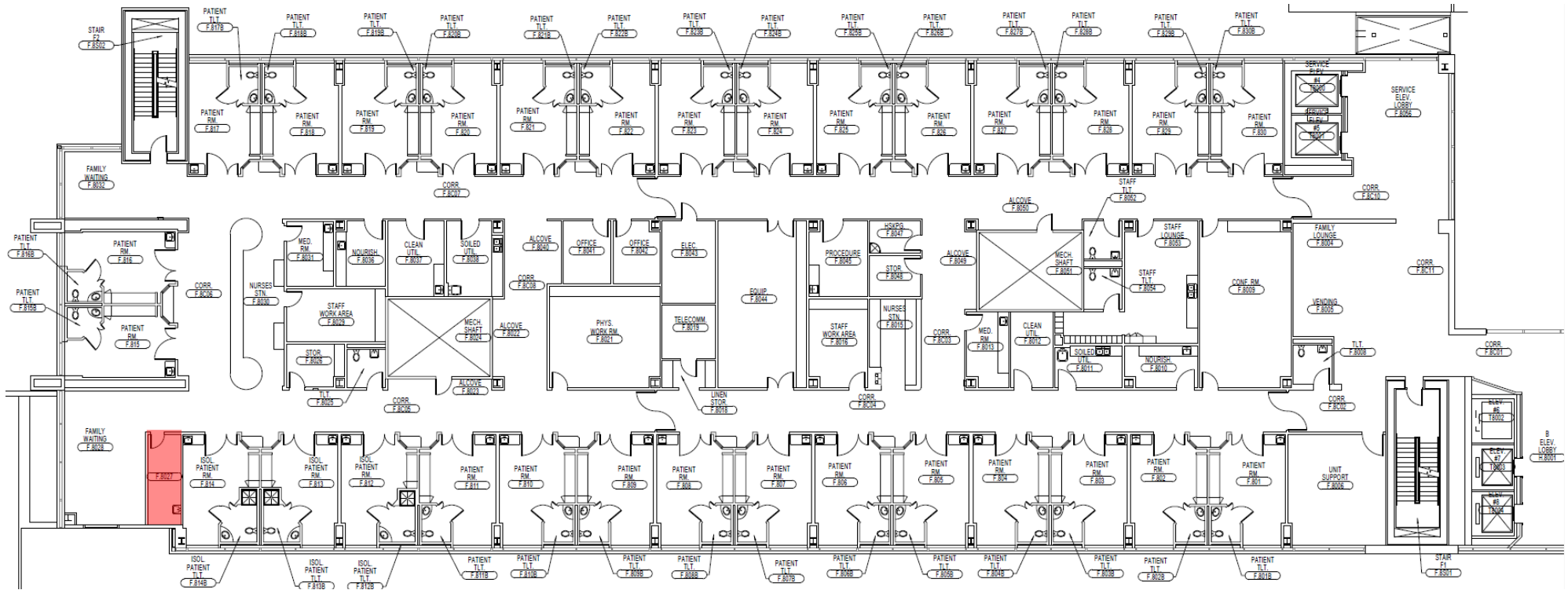


GET HEALTHY UAMS – LACTATION ROOMS

UAMS has one designated Lactation Room: **Hospital F.8027**. The room is available 24/7 to all UAMS employees and students.



Due to space limitations, UAMS is unable to provide a permanently designated lactation room in each campus building. In order to support our employees and students, below is a list of building contacts who can assist when an employee/student temporarily needs a private room near her work place or meeting room.

| BUILDING | BUILDING CONTACT | PHONE |
|--|--------------------------------------|-----------------|
| Cancer Institute, Walker Annex, Ward/E | Mary Spann | 686-8418 |
| Spine Institute | Brian Barnett | 213-7868 |
| Institute on Aging | Suzy Sun | 603-1972 |
| Eye Institute | Meredith James | 526-6000 x21615 |
| Psychiatric Research Institute | Ken Hall | 526-8603 |
| Rahn | Susan Leon | 526-6609 |
| Biomed I & II | Janice Rhodes | 686-8899 |
| OPC | Sandra Meredith-Neve | 940-0625 |
| Admin West & CHP | Phyllis Fields | 686-6856 |
| Ed II, ID Wilson | Steve Boone | 686-7348 |
| Others | Mickey Thomas | 526-7943 |